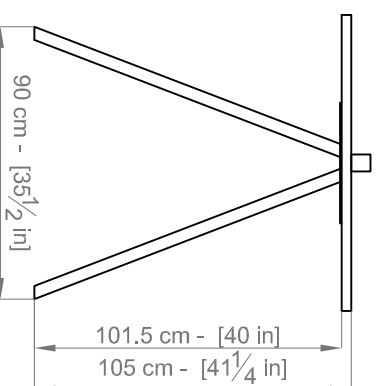
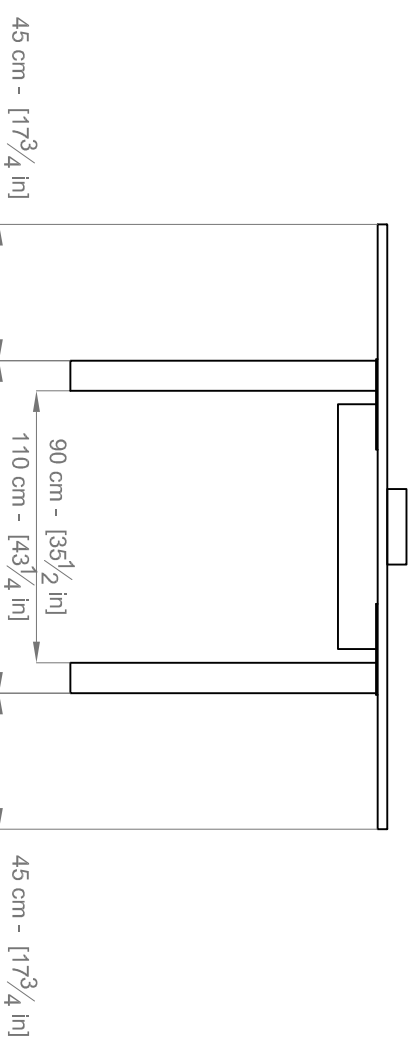
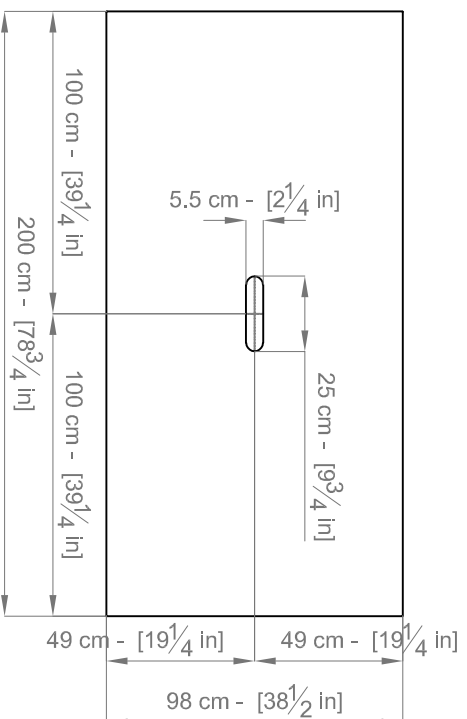
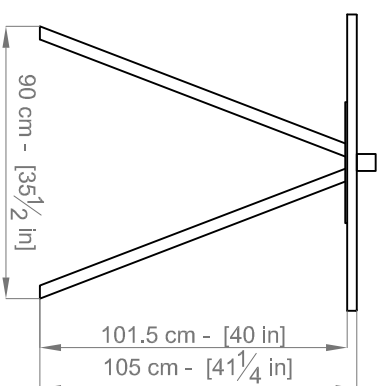
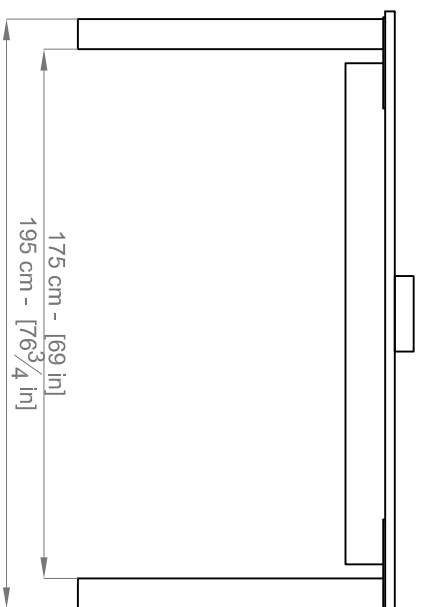
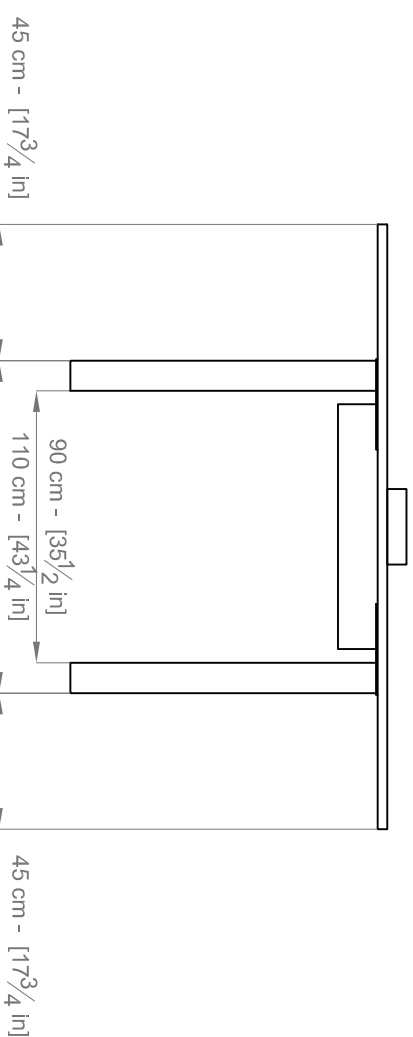
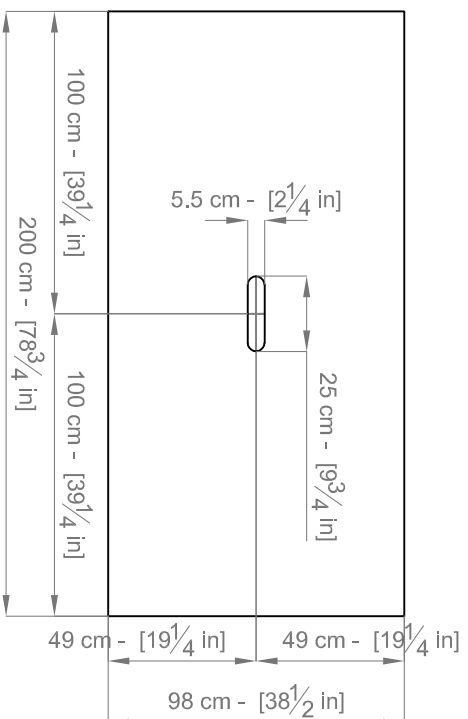


SIDE LEG CONFIGURATION



CENTRAL LEG CONFIGURATION



() - DIMENSIONS BETWEEN BRACKETS ARE APPROXIMATE

Project No:	Cross - art. 5021	
Collection:	Cross	
Description:	Cross Table 200x98 H105 office	
Material:		
Color / finish:		
Date of issue:	03-04-2018	
U.M.:	cm. - Inch.	
Scale:	1 : 25	Layout: A3
Drawn by:	Breda S.	
T.C.:	Checchin C.	
O.C.:	Donaggio M.	

03-04-2018 - DRAW FOR CUSTOMER'S VIEW

<p>European Standards</p>	<p>arper</p>
<p>Via Lombardia, 16 Treviso - ITALY Tel. +39.0422.7918 Fax +39.0422.791800 e-mail: info@arper.com</p>	